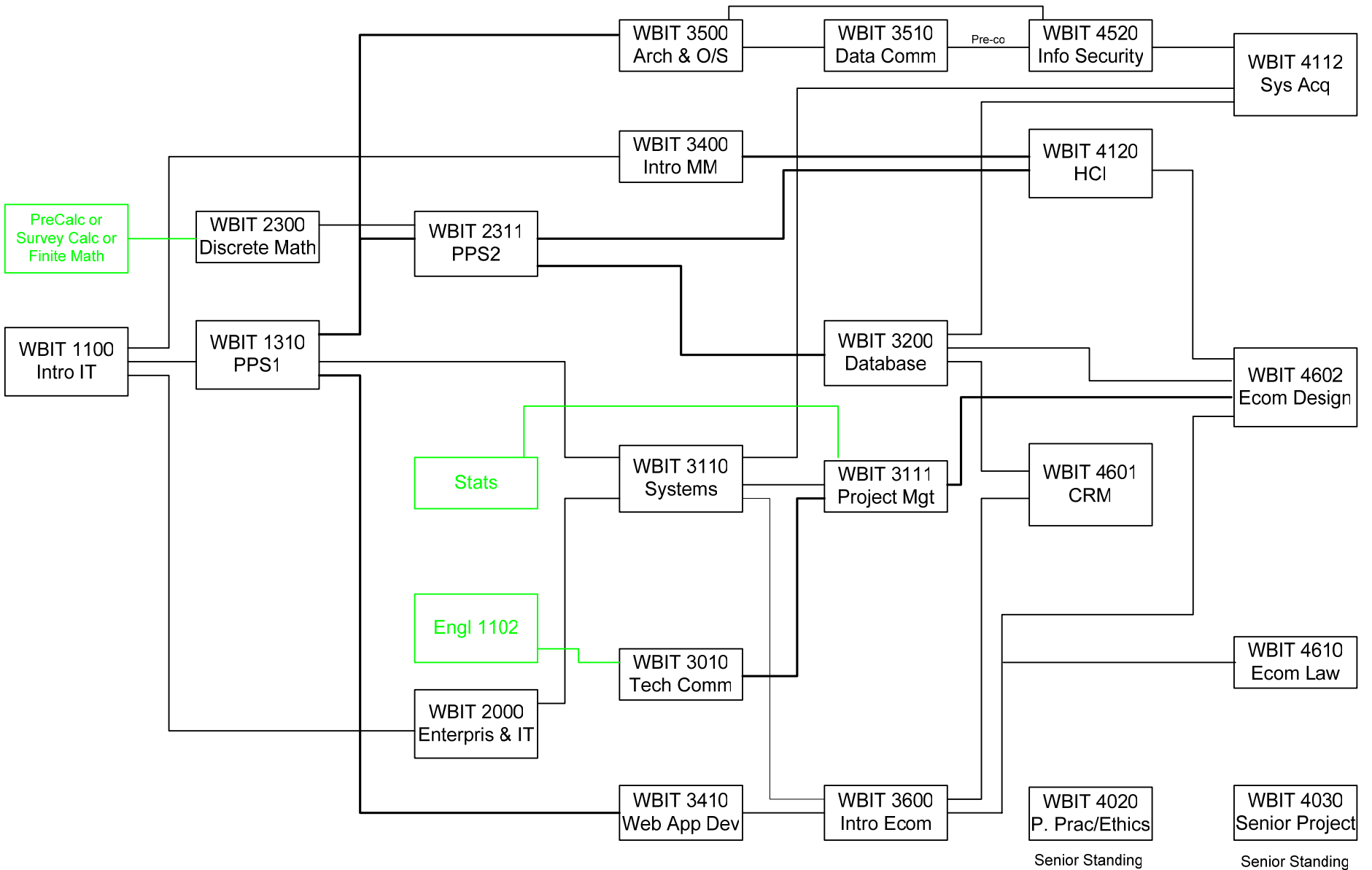


Fall 1 Area F	Spring 1 Area F	Fall 2 Junior 1	Spring 2 Junior 2	Fall 3 Senior 1	Spring 3 Senior 2
------------------	--------------------	--------------------	----------------------	--------------------	----------------------



Senior Standing

Senior Standing